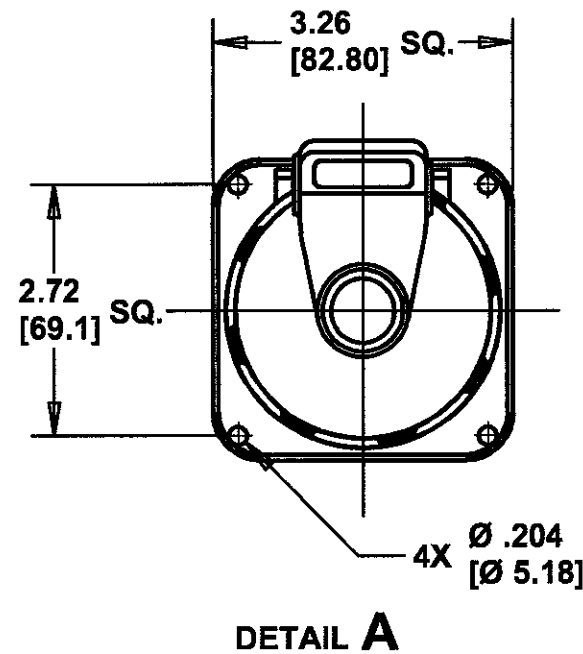
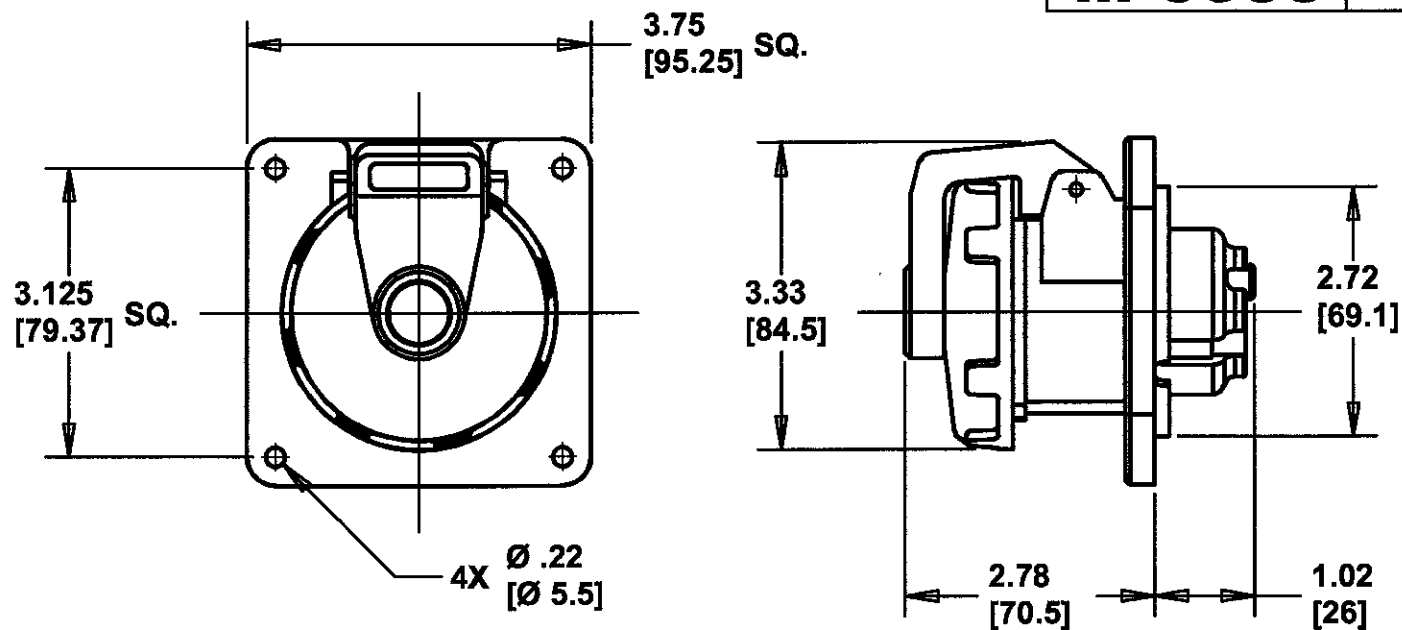


# M-6053 5



LIST OF PARTS		
DESCRIPTION	MATERIAL	FINISH
HOUSING	SEE TABLE	
INTERIOR	THERMOSET	
SLEEVES	BRASS	
SLEEVE SPRINGS	ST. STEEL	
TERMINAL SCREWS	ST. STEEL	
COVER	POLYESTER	
COVER SCREW	BRASS	NICKEL
COVER SPRINGS	ST. STEEL	
GASKET	NEOPRENE	
DISC	POLYCARB.	
ARM	POLYESTER	
HINGE PIN	ST. STEEL	
HINGE SPRING	ST. STEEL	
ASSEMBLY SCREWS	ST. STEEL	

CAT. NO.	CONFIGURATION	RATING	COMMENTS	HOUSING		CAT. NO.	CONFIGURATION	RATING	COMMENTS	HOUSING	
				MATERIAL	COLOR					MATERIAL	COLOR
						HBL320R7W		20 A 480 VDC		NYLON	RED
HBL320R4WMIL		20 A 125 VAC	DETAIL A	NYLON	YELLOW						
HBL316R4W		16 A 110 V		NYLON	YELLOW						
HBL320R4W		20 A 125 VAC									
HBL316R6W		16 A 220 V		NYLON	BLUE						
HBL320R6W		20 A 250 VAC									

SYM	REVISIONS	APP	DATE
5	ADDED "16 &" TO DWG. TITLE. IN TABLE: ADDED "HOUSING" COLUMN, REMOVED CAT. NO.'S HBL320R5W, 320R3W, & 320R9W; "A" SUFFIX WAS "AMP". IN LIST OF PARTS, "SEE TABLE" WAS "NYLON" AND "NEOPRENE" WAS "RUBBER" PER DCN #12944. JMN	DJP	5/17/06
4	REDRAWN ON CAD WITH CHANGES. UPDATED DIMENSIONING PRACTICES. ADDED NOTES AND DETAIL A TO DWG. FIELD AND CAT. NO. HBL320R4WMIL & "COMMENTS" COLUMN TO TABLE. IN SIDE VIEW, "[69.1]" WAS "69MM"; Ø.22 WAS 7/32" DIA. SUPERSEDES DWG. DATED 4-30-80 PER DCN #12570. JMN	DJP	9/23/05

THE DESIGN AND DIMENSIONS OF THE PRODUCT SHOWN ON THIS DRAWING ARE SUBJECT TO CHANGE WITHOUT NOTICE

TITLE 16A & 20A 2 POLE 3 WIRE PIN AND SLEEVE RECEPTACLES

NOTES (UNLESS OTHERWISE SPECIFIED)  
 1) TOLERANCES ARE:  
 DECIMALS ± .03  
 ANGLES ± 2°  
 2) DIMENSIONS ARE: INCHES [MILLIMETERS]

TOLERANCES UNLESS OTHERWISE SPECIFIED	WIRING DEVICE—KELLEMS HUBBELL INCORPORATED BRIDGEPORT, CT	
FRACTIONS ± 1/64	DR. BY W.T.C.	APP. BY DJP
DECIMALS ± .005	TR. BY JMN	SCALE NONE
ANGLES ± 2°	CHK'D BY DJP	DATE 9/23/05